

VERITY[®]

7 INCH DIGITAL
MONITOR SYSTEM
Part # SM07J



Just View It[®]

Please read this manual completely before operating the SYSTEM

A division of
Component Solution Services, LLC.
56600 Twin Branch Dr.,
Mishawaka, IN 46545
www.veritysafe.com

2022-Current
Content copyright protected.

TABLE of CONTENTS

Contents

ABOUT US	3
THINK SAFETY	4
SYSTEM FEATURES.....	6
SYSTEM COMPONENTS	7
CABLE CONNECTIONS	8
MONITOR OPERATIONS	11
MENU OPERATIONS	12
SYSTEM DIMENSIONS	14
VERITY® WARRANTY	15
TECHNICAL SUPPORT	Error! Bookmark not defined.

www.VeritySafe.com

Our tech support is manned by real people in front of all our powered-up systems prepared to knowledgeably talk you through an issue solution – not a person with no knowledge in front of a spreadsheet of prepared phrases. Verity prides itself in 24/7 support for OEMs and Fleets. This manual does not reflect changes in components to customized systems.



ABOUT US

Component Solution Services LLC engineers the **Verity®** products to meet any requirement and price point within the commercial and fire rescue industries. Designed for professional drivers, **Verity** develops and markets products and applications to transmit video, audio, and data. Verity® is also home to the Reveal® line of MDVRs.



The Verity Difference:

- We are an engineering firm
- Products designed and tested in the USA
- Field-tested, not just bench-tested
- Low issue rate of 0.022%
(That is one component out of 5,000+ systems)
- Not found in Big-Box or online mega-sites
- Easy to reach tech support from our R&D department

Verity integrates the needs of the fleets and end-users into what we engineer for our OEMs

Replacement parts can be found at:
www.Librv.com

Most likely, your system came preinstalled so the installation section will be for reference.

Thank you for your purchase of our Verity® products. When installed and used properly, your SM07J is designed to deliver years of trouble-free operation. This manual contains important information required to properly install and operate the unit. Verity systems are designed for quick installation by trained professionals in proper installation environments. Our designs are based on decades of working with vehicle manufacturers.

Verity products are intended to be installed as a supplement and our observation systems and/or products are not intended for use as substitutes for rear-view mirror devices, or for any other standard motor vehicle equipment which may be required to be installed on vehicles by law. Verity products promote improving the vehicle operator's field of view. Our products are no substitute for proper defensive driving techniques, observance of traffic laws and motor vehicle safety regulations.

Installation Location

It is unlawful in most locals for any person to drive a motor vehicle equipped with a television viewer/screen located at any point forward of the back of the driver's seat (or in any location that is visible, directly or indirectly), to the driver while operating the vehicle. Our systems are designed to be used primarily as a rear observation device.

DO NOT OPEN ANY COMPONENT. There are no serviceable parts inside any of the components of Verity products. Opening the product will break the tamper indicators and void the warranty.

WARNING

- ◆ Do not place heavy objects on cables or cover them with carpet or mats.
- ◆ Do not place cables where they can be crushed in any manner.
- ◆ Our systems are designed as a driving aid. Watching videos, broadcasts, DVDs, and/or any images other than those intended for driving assistance cameras is prohibited.

CAUTION

- ◆ To avoid damage to the electronic circuit, stop using this product while welding on the vehicle and/or trailers.
- ◆ Never immerse any component in water, and do not employ spray cleaners. When cleaning, use a damp, lint-free cloth only.
- ◆ Connect this unit only to other compatible devices.
- ◆ Although our products have built-in surge and cross-polarity protection, ensure all cables are connected properly; improper cable connections may damage the camera and the monitor.
- ◆ Cables should not be allowed to touch hot or rotating parts, such as the engine, ventilator, etc.
- ◆ Do not locate the monitor near heat-generating vents or devices.
- ◆ Turn off the power to the monitor when connecting the camera.

Monitors are not designed to be waterproof. (Our SM07F waterproof monitor is the exception). Exposure to water, such as rain, may damage the monitor.

SYSTEM FEATURES

MONITOR SPECIFICATIONS

(Monitor part #MK07J)

- Screen size: 7-inch digital screen (16:9)
- High Resolution: 1024 (RGB) x 600
- System: NTSC/PAL
- Contrast: 700
- Brightness: 520 cd/m²
- Power supply: DC 12V~24V with reverse polarity protection
- Operation temperature: -30°C~+70°C.RH95% Max
- Storage temperature: -40°C~+85°C.RH95% Max
- Field of View: Horz. L 85 / R 85 Vert. UP 85 / DOWN 85
- Adjustable backup lines
- Interactive Auto Dim
- Three camera color-coded inputs and trigger wires,
- Auto blue screen if there is no signal on the activated channel.
- Size: 7" (W) x 4 3/4" (H) x 2 3/4" (D) Weight: 4.8 oz
- Parasitic draw: 0.08 amps
- Features: Removable HD sunshade, HD LCD screen, LED backlight buttons, high-quality processor, in-line waterproof fuse, easy-to-use OSD menu function via buttons: reversing image delay time 0~10s, Mirror/Normal image, plus horizontal flip, multi-language, high output speaker.

CAMERA SPECIFICATIONS

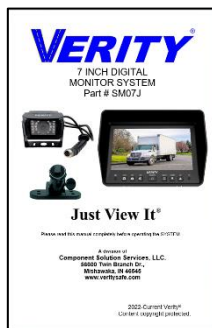
(Camera Part #C001J)

- Horizontal Resolution: 700 TV Lines
- TV System: NTSC
- Image Type: 1/3 Inch Color CMOS SONY (or equivalent)
- Effective Pixel: 510 (H) x 492 (V)
- Illumination: 0.1 Lux (built-in 20 high-output IR LEDs for night vision)
- Aluminum Housing
- Waterproof: IP69
- Power Supply: DC 12V (power from the monitor)
- Shockproof: 4G
- Operating Temperature: -30°~70°C
- Built-in Microphone
- Viewing Angle: 120° (D)

SYSTEM COMPONENTS



7-Inch digital
LCD monitor



Manual



Weatherproof Camera
with night vision



20-Meter Camera
Cable

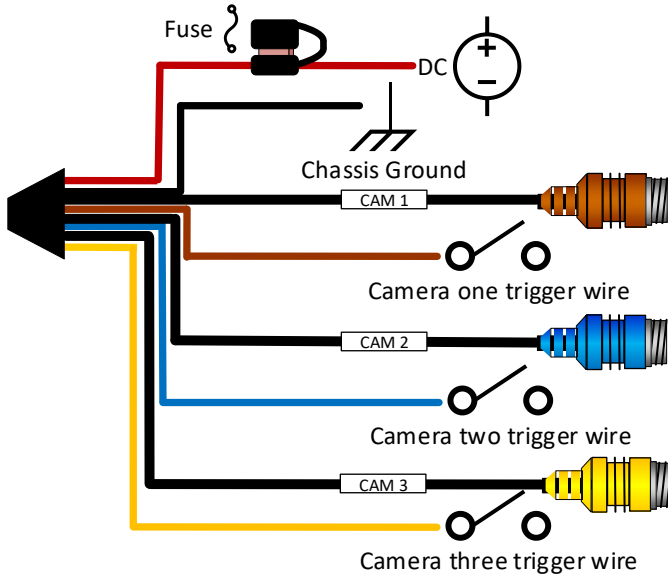


13-pin to 4-pin Monitor
Harness



Heavy Duty
Slim Base Mount

CABLE CONNECTIONS

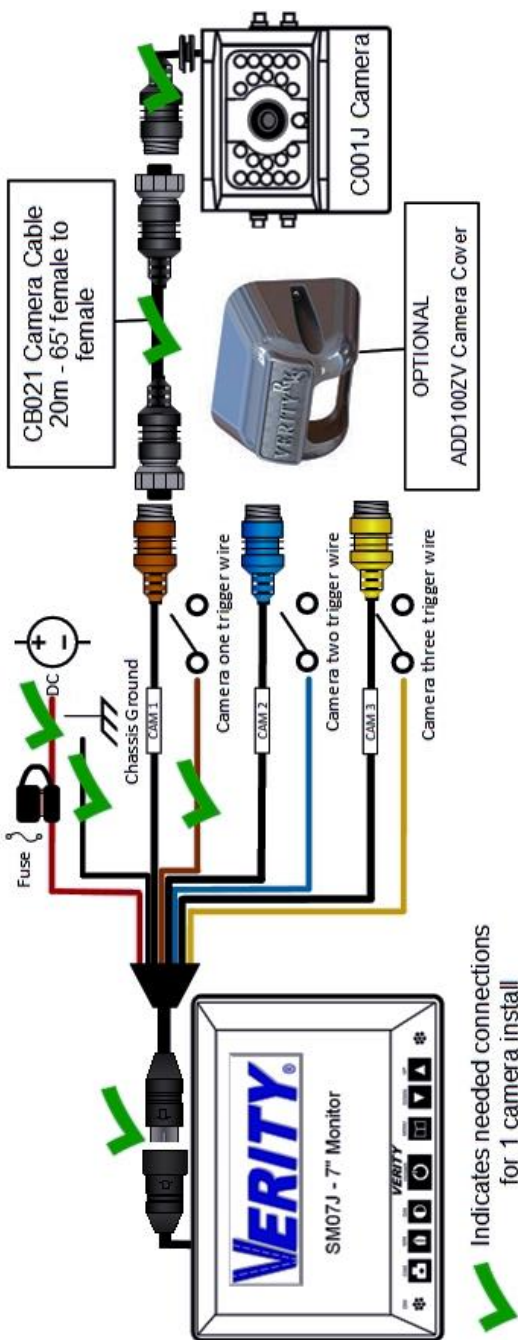


Wire Connection Key:

- ◆ **RED** wire to ignition hot (+) 10-26 volts
- ◆ **BLACK** wire to ground (-) (please use a chassis ground post)
- ◆ **BROWN** trigger wire is for camera 1. Connects brown trigger wire to backup light wire or backup beeper wire. This connection is needed to activate the monitor when putting the vehicle into reverse.
- ◆ **BLUE** (CAM 2) trigger wire for accessory cameras (side cameras etc.) DO NOT power this wire unless you intend to trigger a second camera. It will be connected to your trigger power source, such as a turn signal light wire.
- ◆ **YELLOW** (CAM3) trigger wire for accessory cameras (side cameras etc.) DO NOT power this wire unless you intend to trigger a third camera.



COMPLETE CONNECTIONS



Camera Mounting

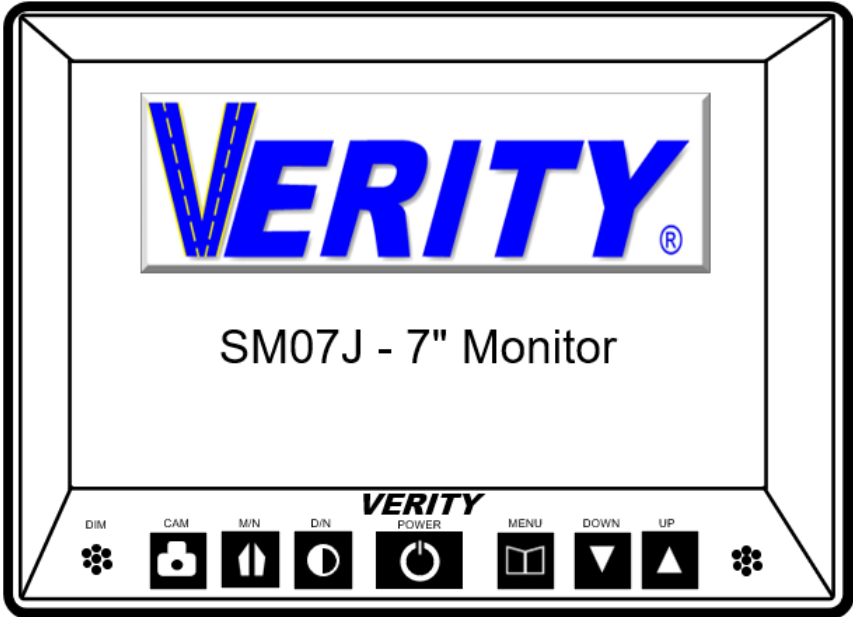
The camera should be mounted on the center line of the truck. When mounting the camera, do not use the center hole on the bracket.



Please make a drip loop in the camera cable. It prevents water from entering (wicking) into the truck. Below is an example of a drip loop.



MONITOR OPERATIONS



DIM Auto Dimming Photo Cell

CAM Switches between cameras

M/N Mirrored / Normal View

D/N Day / Night screen brightness

(Works only when not in auto dimmer mode)

POWER Power on/off button RED power off / BLUE powered

MENU Activates operational menu

Down Volume DOWN / switches down when in menu

UP Volume UP / switches up when in menu

MENU OPERATIONS

Press Menu:

The red highlighted text shows the current selection. Press the MENU button to advance through the available options and use the DOWN/UP arrow buttons to adjust the selection.



1 time: BRIGHTNESS

Use the DOWN / UP arrows to adjust the brightness.

2 times: CONTRAST

Use the DOWN / UP arrows to adjust the contrast

3 times: COLOR

Use the DOWN / UP arrows to adjust the color.

4 times: VOLUME

Use the DOWN / UP arrows to adjust the volume.

5 times: LANGUAGE

Use the DOWN / UP arrows to adjust between 10 languages.

6 times: DIMMER

Use the DOWN / UP arrows to turn the auto dim on/off

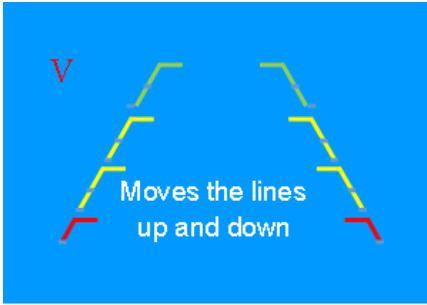
7 times: PARKING LINES

(Only on CAM 1)

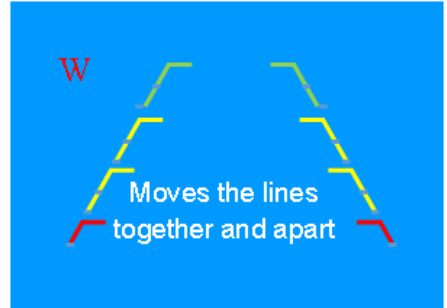
Use the DOWN / UP arrows to turn on/off the park lines.

If parking lines on:

Use the DOWN / UP arrows to adjust parking lines vertically.



Vertical Adjustment



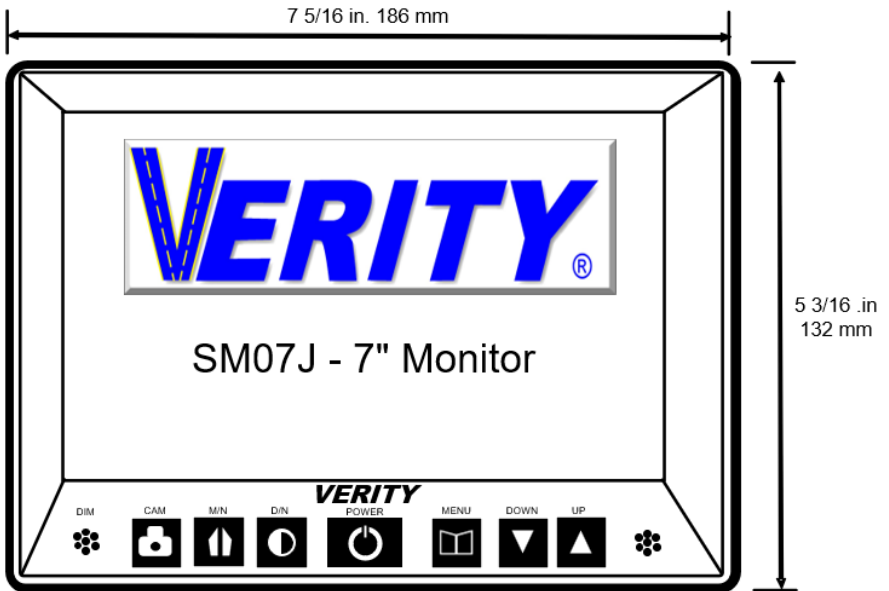
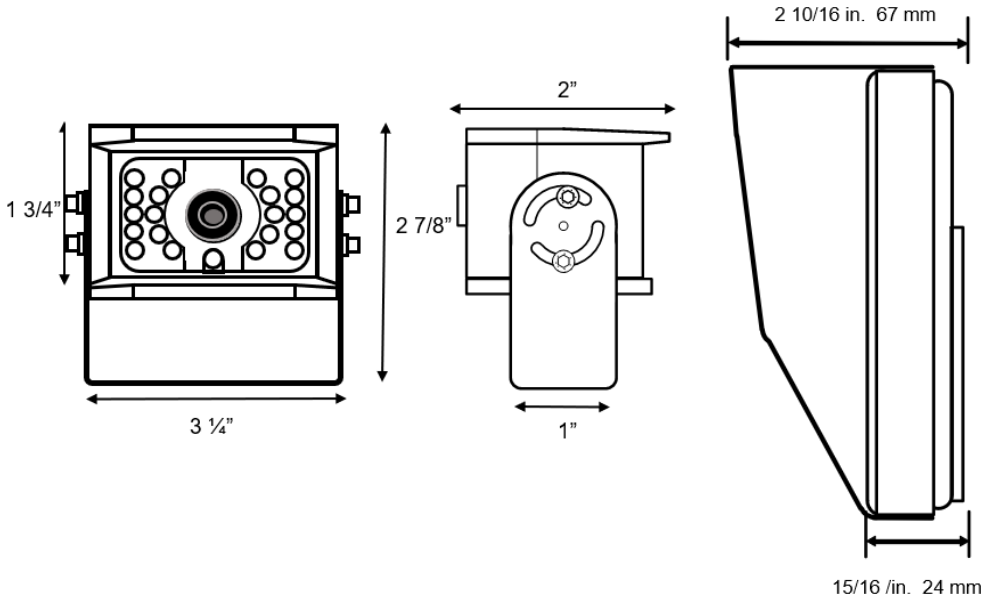
Width Between Lines

This monitor can be mounted on the dash and can be mounted on both horizontal and vertical surfaces. Make sure the view is suitable to the driver to observe the images. Take care not to block any necessary viewing area when mounting. Before mounting the system, permanently hook up all connections to ensure proper operation.

Mounting the Monitor

1. After determining the monitor location, position the monitor support bracket, mark the bolt hole location, and then drill the holes. Be careful not to drill into any other surface that may be hidden.
2. Attach monitor bracket. Mount the monitor to the support bracket with supplied hardware. When mounting the monitor bracket, be careful to check the area where you will be setting the screws. Be sure you will not drill into items such as other cables, dash air bags, etc. and the surface will support the item being attached.

SYSTEM DIMENSIONS



Verity®

A division of

COMPONENT SOLUTION SERVICES, LLC (CSS) LIMITED One (1) YEAR WARRANTY

1. CSS products' warranties are not transferable. They apply to the consumer for one (1) year and cover defects in material and workmanship. We do not warranty our cables, which are QC tested at three different stations before shipping. All components must be installed in compliance with all Federal, State, and Local government requirements. The warranty is limited to the United States of America and Canada.

2. Defective components will be replaced or repaired based on a CSS evaluation of the component. Inbound shipping charges, based on the CSS rate allocated in the RMA (returned merchandise agreement), will be covered once the component has been deemed defective. The pre-assigned inbound freight will be supplied upon the return of the product. All repaired/replaced warranty parts shall be for the remaining duration of the original warranty period.

3. CSS takes pride in our products and will aid in the processing of your components:

a) All warranty claimants must have consulted our technical support department for troubleshooting and acquiring an RMA. Contact can be made via email at tech@veritysafe.com or call 574-807-6002.

b) When the warranty claim is made, the consumer must establish the warranty start dates by presenting documentation regarding the date of retail purchase (e.g., bill of sale).

c) Service performed by non-authorized service personnel may void all warranty claims.

d) CSS will make no payments for system removal/system re-installing, mileage allowance, or transportation expenses. Verity does not pay for labor. The limited warranty does not cover damage resulting from misuse, accident, modification, or alteration to hardware or software, tampering, unsuitable physical or operating environment beyond product specifications, improper maintenance, or failure caused by a product for which CSS is not responsible. There is no warranty for any product with removed or altered identification labels. CSS DOES NOT PROVIDE ANY OTHER WARRANTIES OF ANY KIND, INCLUDING, BUT NOT LIMITED TO, THE IMPLIED WARRANTIES OR CONDITIONS OF MERCHANTABILITY AND FITNESS FOR A PARTICULAR PURPOSE. SOME JURISDICTIONS DO NOT ALLOW THE LIMITATION OF IMPLIED WARRANTIES, SO THIS LIMITATION MAY NOT APPLY TO YOU.

4. This warranty gives you specific legal rights; you may also have other rights that vary from state to state.

Technical Support

A service ticket can be filled out online to supply the quickest service. The service ticket can be easily found on our website, www.VeritySafe.com, or use the code to the right. Please have the system's serial number, which is found on the back of the monitor, when contacting the service department. We take great pride in delivering the most dependable product in the industry. Each item was 100% QC tested, and then we randomly recheck another up to 10% before it leaves our hands to you. We have a 0.022% issue rate with our products.



Email Tech Support:

Tech@VeritySafe.com

Phone Tech Support: 574-807-6002

Note: if you are a fire/rescue customer needing tech support after hours or on weekends, leave a message, and a technician will return your call as soon as one becomes available.

VERITY[®]

a division of

Component Solution Services, LLC.

56600 Twin Branch Drive

Mishawaka, IN 46545

574-807-6002

Toll-Free 844-875-4799

We at Verity would like to personally thank you for purchasing our product. Our company strives to supply the best products at a fair price. We care that you enjoy a safe driving experience.

2022-Current

Verity[®]

Content copyright protected.

Revision 25 NF