



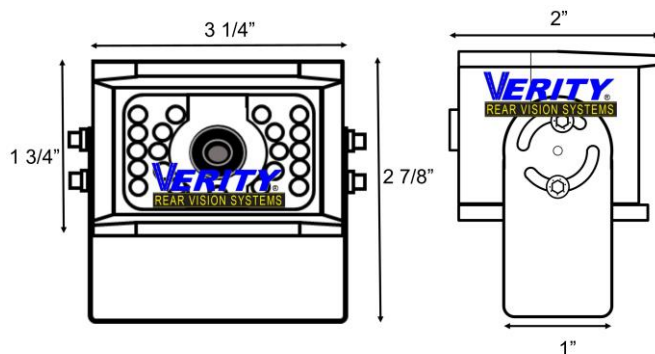
C001J Standard Rear Camera

CAMERA SPECIFICATIONS

Aluminum housing
With audio
Horizontal resolution: 600 TV Lines
Image type: 1/3 Inch Sharp® color CCD
(no cheap off brands used)
System: NTSC
Viewing angle: 120°
Effective pixels: 510 x 492
Minimum illumination: 0 Lux (built-in 20 high output IR LEDs for night vision)
Waterproof: IP69K
Power supply: DC 12V (powered by monitor)
Shockproof: 10G
Operating temperature: -40°~70°C



Optional ADD100Z Camera Cover



574-807-6002 www.verityrvs.com Serving OEMs & Fleets

56600 Twin Branch Dr., Mishawaka, IN 46545

Woman-Owned

A division of Component Solution Services, LLC.

Est. 2002

Subject to change without notice