

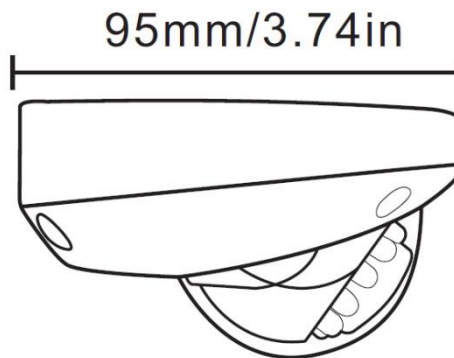
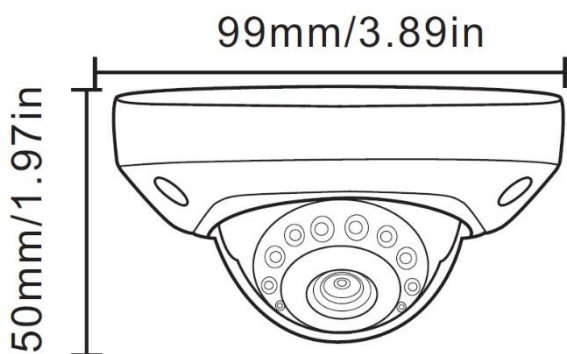


C211 Dome Camera

This is an interior security camera designed to view activity inside the truck box. The camera is high-def, with 600 TV Lines and built-in night vision.

CAMERA SPECIFICATIONS

- Image sensor: 1/3" CCD
- Viewing angle: Diagonal 120°
- IR Night Vision
- NTSC Format
- Resolution: 600 TV Lines
- Effective Pixels: 628 * 582
- Power Supply: DC 12V
- Work Temp: -20° C ~ +65° C



574-807-6002

www.veritysafe.com

Serving OEMs & Fleets

56600 Twin Branch Dr., Mishawaka, IN 46545

Woman-Owned

A division of Component Solution Services, LLC.

Est. 2002

Subject to change without notice

Rev: 2.23