

# VERITY®

## 7-INCH QUAD "S" SYSTEM Part # SMQ7S



Est. 2002 with over 20+ years of the  
Latest Engineering, Highest Quality, Best Support  
**COST EFFICIENT**

Please read this manual completely before operating the SYSTEM

A division of  
Component Solution Services, LLC.  
56600 Twin Branch Dr.,  
Mishawaka, IN 46545  
[wwwVerityRVS.com](http://www.VerityRVS.com)



© 2020 Verity Rear Vision Systems®  
Subject to change

## TABLE OF CONTENTS & PHONE NUMBERS

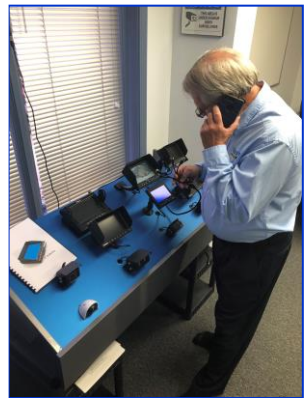
Contents	
PHONE NUMBERS	2
ABOUT US	3
THINK SAFETY	4
SYSTEM FEATURES	6
SYSTEM COMPONENTS	7
SYSTEM COMPONENTS	8
CABLE CONNECTIONS	9
MONITOR OPERATIONS	10
MENU OPTIONS	11
SYSTEM DIMENSIONS	13
LIMITED ONE (1) YEAR WARRANTY	15
TECHNICAL SUPPORT	16

SALES  
574-807-6005

TECH SUPPORT  
574-807-6004

[WWW.VERITYRVS.COM](http://WWW.VERITYRVS.COM)  
VERITYRVS®

Our tech support is manned by real people in front of all of our powered-up systems prepared to knowledgeably talk you through an issue solution – not a person with no knowledge in front of a spreadsheet of prepared phrases. Verity=24/7 support for OEMs and Fleets.



## ABOUT US

**Component Solution Services, LLC** offers the Verity Rear Vision Systems<sup>®</sup> (Verity) to meet any requirements and price point within the trucking, specialty vehicles, and RV industry. Verity is also home to the Supreme View<sup>®</sup> line of specialty format systems. Our standard cabled systems offer unparalleled features into the trucking and RV industries. Designed for professional drivers, **Verity** develops and markets products and applications to transmit video, audio, and data either individually or in all combinations. The company has also developed, manufactured, and marketed different kinds of personal and vehicle video cameras, DVRs, and accessories for the commercial transportation, fire/rescue, and marine OEM markets.



Use this barcode or  
link to visit our  
website  
[www.verityrvs.com](http://www.verityrvs.com)



# THINK SAFETY

Read our manual before operating  
or installing this system.

Most likely, your system came pre-installed so the installation section would be for reference.

Thank you for your purchase of our Verity Rear Vison System SMQ7S. When installed and used properly, your SMQ7S is designed to deliver you years of trouble-free operation. This manual contains important information required to properly install and operate the unit. Verity units are designed for quick installation by trained professionals in proper installation environments. Our designs are based on decades of working with vehicle manufacturers.

Verity products are intended to be installed as a supplement and our observation systems and/or products are not intended for use as substitutes for rear-view mirror devices, or for any other standard motor vehicle equipment which may be required to be installed on vehicles by law. Verity products promote improving the vehicle operator's field of view. Our products are no substitute for proper defensive driving techniques, observance of traffic laws, and motor vehicle safety regulations.

## **Installation Location**

It is unlawful in most locals for any person to drive a motor vehicle equipped with a television viewer/screen located at any point forward of the back of the driver's seat (or in any location that is visible, directly or indirectly) to the driver while operating the vehicle. Our systems are designed to be used primarily as a rear observation device.

**DO NOT OPEN ANY COMPONENT.** There are no serviceable parts inside any of the components of the SMQ7S. Opening the product will break the tamper indicators and void the warranty. Contact our tech support if a problem should arise: 574-807-6002. For faster response, fill out a service ticket found on our website. [www.verityrvs.com](http://www.verityrvs.com)

## **WARNING**

- ◆ Do not place heavy objects on cables or cover them with carpet or mats.
- ◆ Do not place cables where they can be crushed in any manner.
- ◆ Our systems are designed as a driving aid. Watching videos, broadcasts, DVDs and/or any images other than intended driving assistance cameras is prohibited.

## **CAUTION**

- ◆ To avoid damage to the electronic circuit, stop using this product while doing welding work to the vehicle and/or trailers.
- ◆ Never immerse any component in water, and do not employ spray cleaners. When cleaning, use a damp lint-free cloth only.
- ◆ Connect this unit only to other compatible devices.
- ◆ Although our products have built-in surge and cross polarity protection, make sure all cables are connected properly; improper cable connections may damage the camera and the monitor.
- ◆ Cables should not be allowed to touch hot or rotating parts, such as the engine, ventilator, etc.
- ◆ Do not locate the monitor near heat generating vents or devices.
- ◆ Turn off power to the monitor when connecting the camera.

Monitors are not designed to be waterproof. (Our SM07F waterproof monitor is the exception). Exposure to water, such as rain, may damage the unit.

# SYSTEM FEATURES

## MONITOR SPECIFICATIONS

(Monitor part #MKQ7S)

Screen size: 7-in 800 x 480 Pixel (RGB)

System: PAL/NTSC (automatic)

Brightness: 300 cd/m<sup>2</sup>

Power supply: DC 12V~24V with reverse polarity protection

Operation temperature: -20°~70°C

Storage temperature: -30°~70°C

Monitor view angle: Horz. L (60) R (60) Vert. UP (40) DOWN (60)

4 camera input with shrink tube labeled trigger wires

Auto blue screen if no signal on the activated channel.

Size: 7" (W) x 4 ¾" (H) x 2 ¾" (D) Weight: 16.4 oz

Features: Removable HD sunshade, LCD screen, LED blue light buttons, high-quality processor, in-line waterproof fuse, and easy-to-use OSD menu function via buttons: reversing image delay time 0~10s, Mirror/Normal image, plus horizontal flip, multi-language, high output speaker.

## CAMERA SPECIFICATIONS

(Camera Part #C001S)

Horizontal Resolution: 600 TV Lines

TV System: NTSC

Image Type: 1/3 Inch Color CCD SONY (or equivalent)

(no cheap off brands used)

Effective Pixel: 976 (H) x 499 (V)

Illumination: 0 Lux (built-in 17 high output IR LEDs for night vision)

Aluminum Housing

Waterproof: IP68

Power Supply: DC 12V (power from the monitor)

Shockproof: 4G

Operating Temperature: -20°~70°C

Built-in Microphone

Viewing Angle: 140°

# SYSTEM COMPONENTS



7-Inch digital  
Quad Multiplex LCD monitor



Manual



Weatherproof Camera  
with night vision



20-Meter Camera  
Cable



18-pin to 4-pin Monitor  
Harness



"Fan" Style Mount

# SYSTEM COMPONENTS

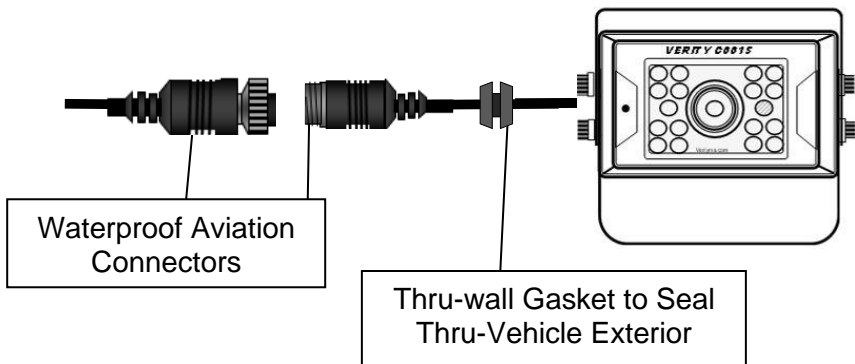
This monitor can be mounted on the dash and also on horizontal and vertical surfaces. Make sure the view is suitable for the driver to observe the images. Take care not to block any necessary viewing area when mounting. Before mounting the system, permanently hook up all connections to ensure proper operation.

## Mounting Monitor

- After determining the monitor location, position the monitor support bracket, mark the bolt hole location and drill the holes. Be careful not to drill into any other surface where wires and components may be hidden.
- Attach monitor Fan bracket
- Connect one end of the power cable (wire) to the proper connections. Connect the other end of the power cable (plug) to the monitor; connect the monitor and the camera with the 18-pin harness.

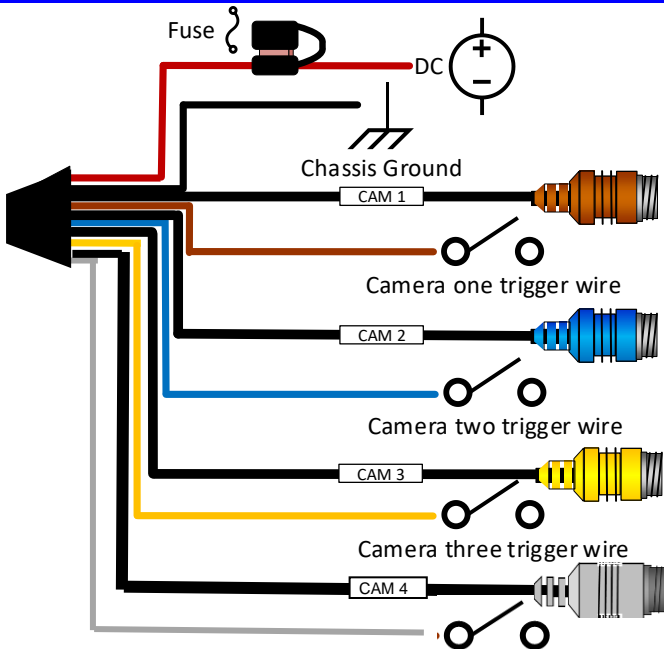
## Camera Connection

**Do NOT make the cable tight from the back of camera going into the truck**





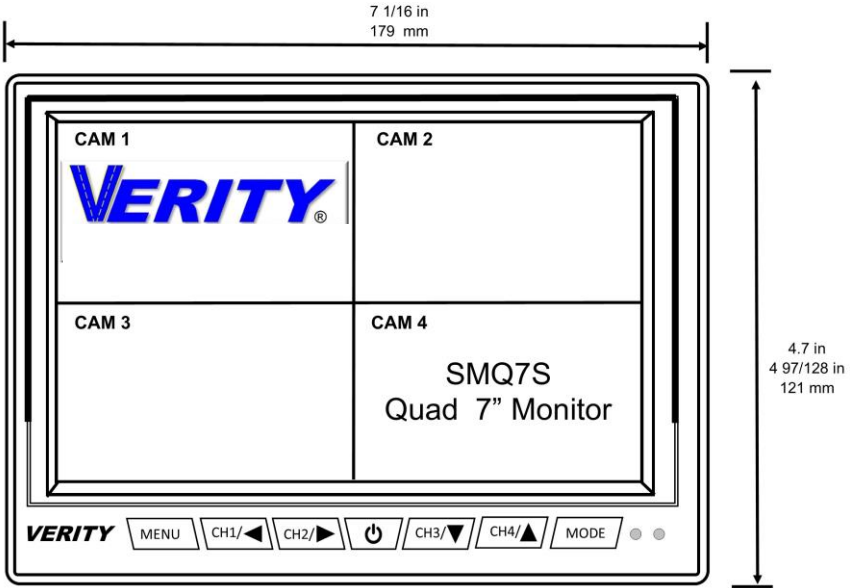
# CABLE CONNECTIONS



## Wire Connection Key:

- ◆ **RED** wire to ignition hot (+) 10-26 volts
- ◆ **BLACK** wire to ground (-) (please use a chassis ground post)
- ◆ **BROWN trigger wire** is for camera 1. Connects brown trigger wire to backup light wire or backup beeper wire. This connection is needed to activate the monitor when putting the vehicle into reverse.
- ◆ **BLUE** (CAM 2) trigger wire for accessory cameras (side cameras etc.) **DO NOT** power this wire unless you intend to trigger a second camera. It will be connected to your trigger power source, such as a turn signal light wire.
- ◆ **YELLOW** (CAM3) trigger wire for accessory cameras (side cameras etc.) **DO NOT** power this wire unless you intend to trigger a third camera
- ◆ **Gray** (CAM4) trigger wire for accessory cameras (side cameras etc.) **DO NOT** power this wire unless you intend to trigger a fourth camera

# MONITOR OPERATIONS



## Buttons from left to right

1. Menu Control Button
2. Channel 1 / decrease
3. Channel 2 / increase
4. Power Off/On button - Red color is stand-by- Blue is powered
5. Channel 3 / down movement
6. Channel 4 / up movement
7. MODE

**Monitor will turn on atomically if trigger wire is activated.**



# MENU OPTIONS

The menu button operates the menu options:



The following shows how the menu options work. The down (CH3) and up (CH4) arrow buttons move within the menus.



(CH1) controls decreases and (CH2) increases the options.

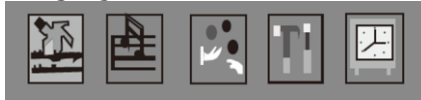
## Screen 1:

**Depress menu repeatedly to scroll down options.**

**Brightness, Contrast, and Color**, displayed on screen.

Brightness, Contrast, and Color have a value of 1-40 that come factory-set at 20, the mid-range. Reset will restore the factory settings.

## PICTURE



BRIGHT	20
CONTRAST	20
COLOR	20
RESET	

## SCREEN 2:

**LANGUAGE** The default language is English. There are seven options: English, Chinese, French, Deutsch, Italian, Spanish, and Portuguese.

**ROTATION** Rotates the image as needed



**AUTO DIM** Turns off/on auto-dimming



LANGUAGES  
ROTATION  
AUTO DIM

ENGLISH  
RU  
ON

## SCREEN 3: VOLUME



VOLUME

20

## SCREEN 4: MIRROR



CAMERA1  
CAMERA2  
CAMERA3  
CAMERA4

OFF  
OFF  
OFF  
OFF

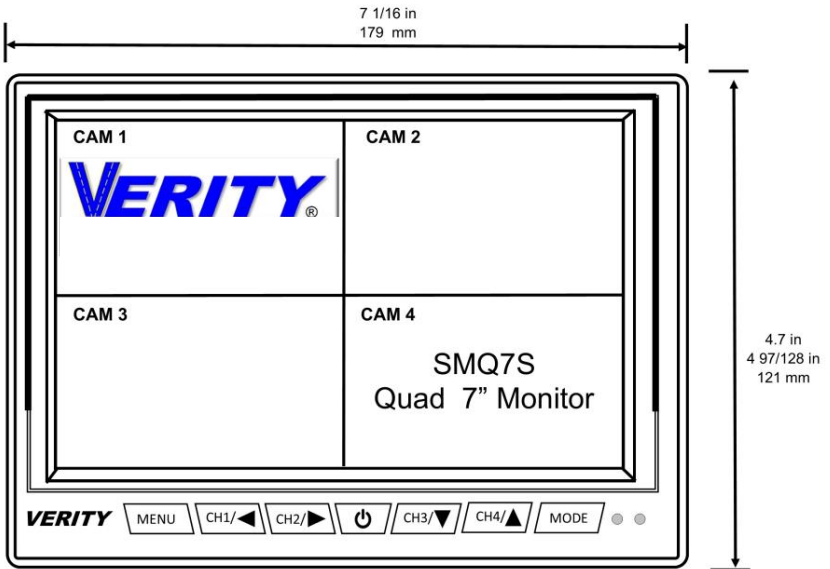
**SCREEN :**

**CLOCK** Sets the time a camera stays on after a trigger is turned off. This setting is helpful with side camera functions.



CAMERA1	3	SEC
CAMERA2	3	SEC
CAMERA3	3	SEC
CAMERA4	3	SEC

**SYSTEM DIMENSIONS**



More layout options by using MODE button

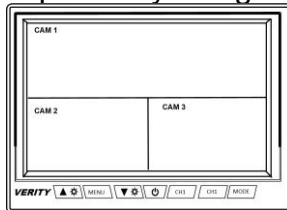
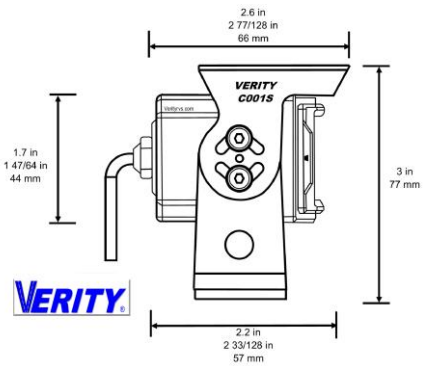
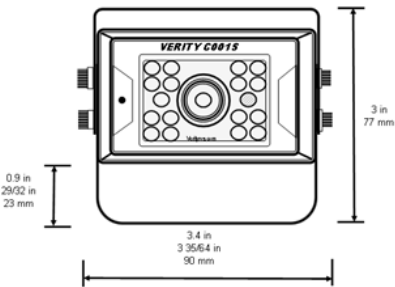
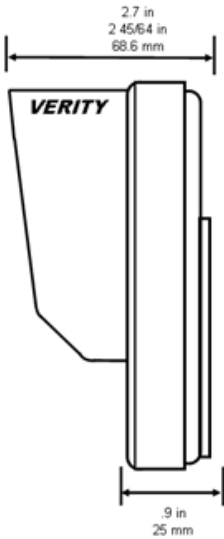


Figure 1



Be sure to use the vibration gasket when installing the camera. It is package with the camera hex wrench.

Verity Rear Vision Systems  
A division of  
**COMPONENT SOLUTION SERVICES (CSS)  
LIMITED ONE (1) YEAR WARRANTY**

1. VerityRVS® products' warranties are not transferable. The warranties apply to the retail consumer for one (1) year and covers against defects in material and quality. Cables are not warranted.
  
2. Defective components will be replaced or repaired, based on a VerityRVS evaluation of the component. In-bound shipping charges, based on the VerityRVS rate allocated in the RMA (returned merchandise agreement), will be covered once the component has been deemed defective at the CSS warranty facility. The pre-assigned in-bound freight will be supplied upon the return of the product. All repaired/replaced warranty parts shall be for the remaining duration of the original warranty time period.
  
3. VerityRVS takes pride in our products and will aid in the processing of your components:
  - a) All warranty claimants must have consulted our technical support department for troubleshooting and the acquiring of an RMA. Contact can be made via email at [techsupport@verityrvs.com](mailto:techsupport@verityrvs.com) or call 574-807-6002.
  - b) When the warranty claim is made, the consumer must establish the warranty start dates by presenting documentation regarding the date of retail purchase (e.g., bill of sale).
  - c) Service performed by non-authorized service personnel may void all warranty claims.
  - d) VerityRVS will make no payments for system removal or system re-installing, mileage allowance, or transportation expenses.The limited warranty does not cover damage resulting from misuse, accident, modification, or alteration to hardware or software, tampering, unsuitable physical or operating environment beyond product specifications, improper maintenance, or failure caused by a product for which VerityRVS is not responsible. There is no warranty for any product with removed or altered identification labels. VerityRVS DOES NOT PROVIDE ANY OTHER WARRANTIES OF ANY KIND, INCLUDING, BUT NOT LIMITED TO, THE IMPLIED WARRANTIES OR CONDITIONS OF MERCHANTABILITY AND FITNESS FOR A PARTICULAR PURPOSE. SOME JURISDICTIONS DO NOT ALLOW THE LIMITATION OF IMPLIED WARRANTIES, SO THIS LIMITATION MAY NOT APPLY TO YOU.
  
4. This warranty gives you specific legal rights, and you may also have other rights that vary from state to state.

# TECHNICAL SUPPORT

A service ticket can be found online and completed to supply the quickest service. The service ticket can be easily found on our web site [www.VerityRVS.com](http://www.VerityRVS.com) or use the 3-D code below. Please have the serial number of the system, which is located on the back of the monitor when contacting the service department. We take great pride in delivering the most dependable product in the industry. Each item was 100% QC tested, and then we randomly recheck another up to 10% before it leaves our hands to you. We have a .024% issue rate for all Verity cameras and monitors over the past nine years.



**Email Tech Support: [tech@verityrvs.com](mailto:tech@verityrvs.com)**

**Phone Tech Support: 574-807-6004**

Note: After office hours calls will be answered or called back as quickly as possible by one of our Tech Team. Please note: Technicians cannot provide pricing or availability.



a division of

**Component Solution Services**

56600 Twin Branch Dr.,

Mishawaka, IN 46545

**574-807-6002**

**Toll-Free 844-875-4799**

We at Verity Rear Vision Systems would like to personally thank you for purchasing our product. We at Verity strive to supply the best products at a competitive price. We care that you enjoy a safe driving experience.