



7" SMW7S Layout

7" "S" Series include all required components for a 1-camera installation. Other cameras & cables sold separately.

**Wire Connection Key:**

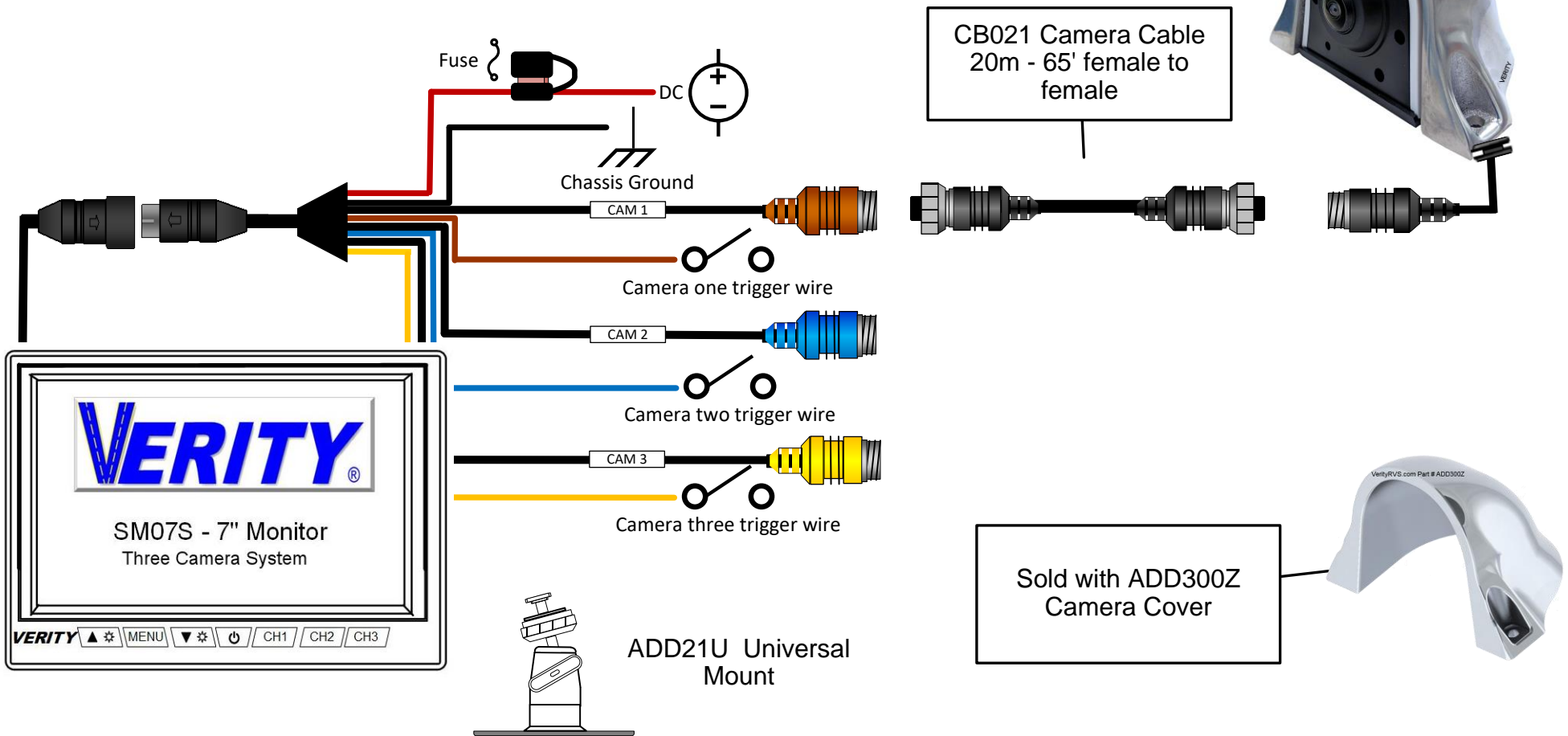
Red wire to Ignition hot (+) 10-24v. DC

Black wire to GND (-)

Brown trigger wire for camera 1 to backup light

Blue trigger wire for camera 2 to turn signal relay

Yellow trigger wire for camera 3 to other turn signal relay



**NOTICE**

Diagram is for reference purpose only.  
Subject to change without notice. Not to Scale.

11/2024

**Supports up to 3 cameras**

574-807-6002  
www.veritysafe.com  
All rights reserved.