



C001S Commercial Camera

This camera is proving to be one of our most durable cameras. This truck camera is high performance, made to last, and meets a cost minded budget. Less money does not have to mean lower quality. The camera is definitely Verity Safe.

CAMERA SPECIFICATIONS C001S

CAMERA SPECIFICATIONS

(Camera Part #C001S)

Horizontal Resolution: 600 TV Lines

TV System: NTSC

Image Type: 1/3 Inch Color CCD Sharp® (or equivalent)

Illumination: 0 Lux (built-in 17 high output IR LEDs for night vision)

(no cheap off brands used)

Effective Pixel: 510 x 492

Aluminum Housing

Waterproof: IP69K (IP68K with microphone)

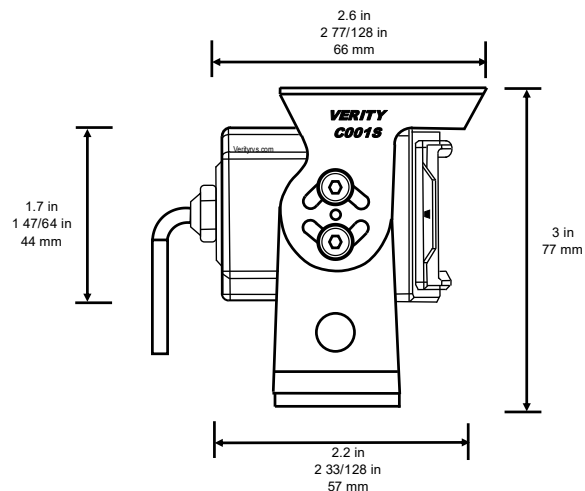
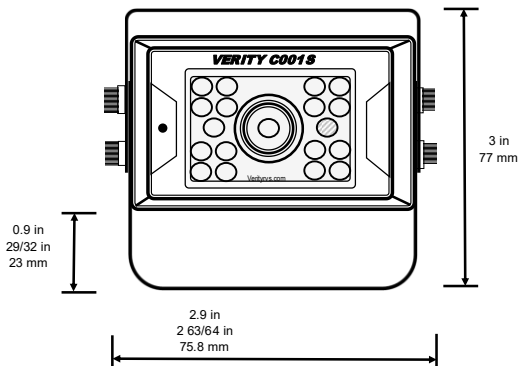
Power Supply: DC 12V (powered from the monitor)

Shockproof: 10G - Operating Temperature: -40°~70°C

4-pin male waterproof connector

Built-in Microphone

Viewing Angle: 170°



574-807-6002

www.verityrvs.com

Serving OEMs & Fleets

56600 Twin Branch Dr., Mishawaka, IN 46545

Woman-Owned

A division of Component Solution Services, LLC.

Est. 2002

Subject to change without notice

Rev. 4 19